



Save 50% on window fitting!



On the market since 2006 and still a great help every day

GlasLift[®] 250 – The most solid and reliable multilifter.

- Little handy machine – the smallest on the market
- Lifts and fits loads of up to 250 kilos
- Narrow turning radius
- Big ground clearance
- Drives through narrow passages down to 62 cm
- Parallelism in lifting
- Flexible head
- Possible to add horizontal lifting arm – extra
- Complies with all current EU-directives.

Other unique features

Safe handling



GlasLift 250D handles the most expensive items in a safe way. Perfect for small production facilities.

Wheel fitting on inside



Simple wheel fitting enables the wheels to be quickly and easily fitted as required. Fitted on the inside of the Glaslift[®] 500

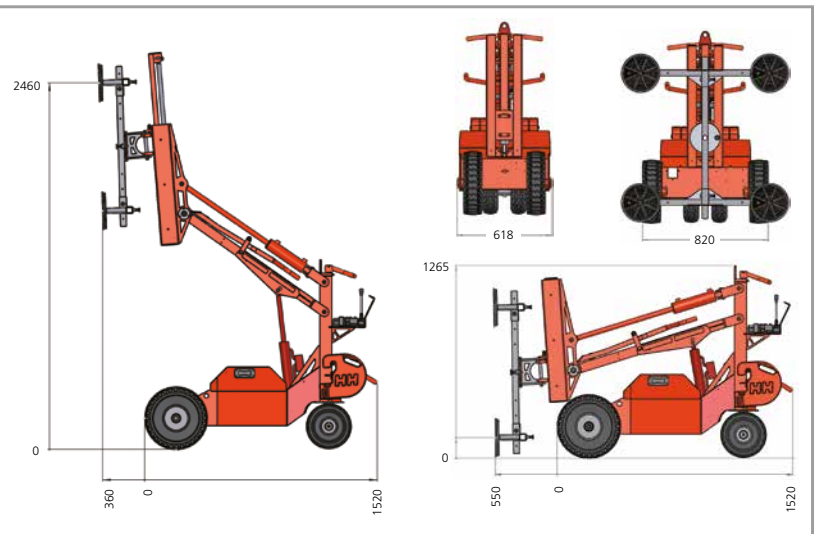
Narrow passages



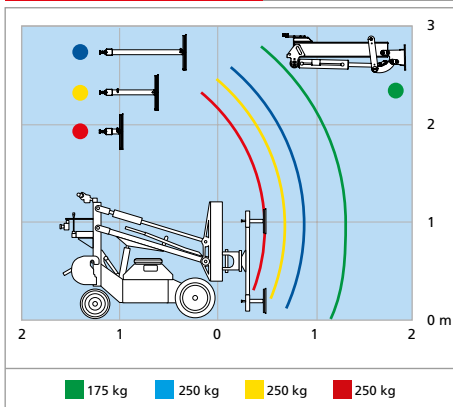
With both front wheels fitted at the inner position, the machine is able to drive through a passage of merely 62 cm.

Technical data

Description	Value
Lifting capacity	250 kg
Weight	260 kg / 410 kg
Max. outside wheel width	820 mm
Min. outside wheel width	618 mm
Length	1520 / 2070 mm
Max. height	2720 mm
Tyre pressure - front	4.5 bar
Tyre pressure - rear	7.5 bar
Charging current	230/110 V
Battery	12 V
Battery recharge time	Approx. 8 hrs



Great capacity



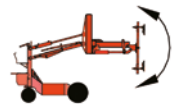
In this diagram you are presented with the lifting data of the machine with the different extension arms and with the horizontal lifting arm.

Add the horizontal lifting arm



Picks up loads of up to 175 kg from a horizontal position from ground level to app. 1800 mm. Mounts objects from ground level to 3000 mm. Comes with a weight extension kit.

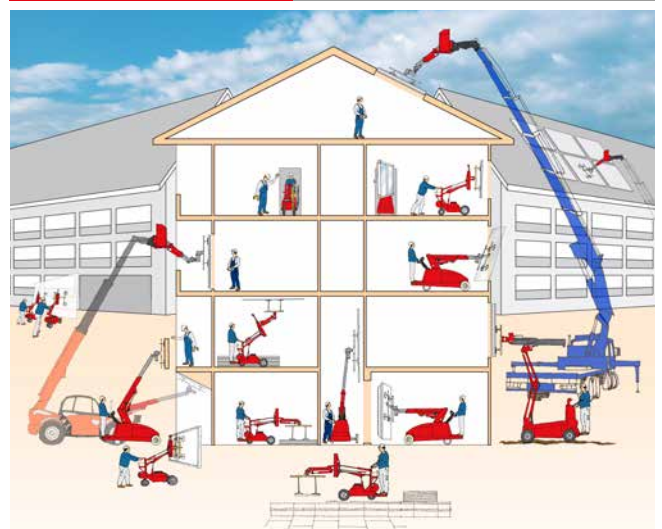
An extra hydraulic control unit is standard on the GlasLift[®]. The added right lever operates the tilting function of the horizontal lifting arm.



Materials



We sell solutions - contact us for free consultancy!



GlasLift[®] 250D complies with the requirements of Machinery Directive 2006/42/EC.

Please contact HH-Intellitech to book a demonstration.

Visit www.hh-intellitech.dk and see all our solutions

Production and sales:

HH-Intellitech ApS

Nykoebing Landevej 21
4200 Slagelse
Denmark

Phone +45 58 26 70 17
E-mail: info@hh-intellitech.dk
www.hh-intellitech.dk