



*Self-propelled  
with powerful  
drive*



*Mount a horizontal  
lifting arm and pick up loads  
from ground level*

## GlasLift<sup>®</sup> 351 – a world of self-propelled possibilities

- Self-propelled with powerful drive
- Extremely stabil without outriggers
- Lifts and fits loads of up to 350 kilos
- Narrow turning radius
- Big ground clearance
- Drives through narrow passages down to 85 cm
- Extra hydraulic outlet
- Parallelism in lifting
- Flexible head
- Possible to add horizontal lifting arm – extra
- Complies with all current EU-directives.

## Other unique features

### Front wheel differential



Allows the GL351<sup>®</sup> to turn "on the spot". The turning radius is not more than its own length, because the differential adjust the rotation of the front wheels automatically.

### Semi offroad



Ground clearing height of 20 cm combined with rugged tires give semi-off-road capabilities and building site access. The powerful drive allows the machine to drive uphill as well as downhill fully loaded.

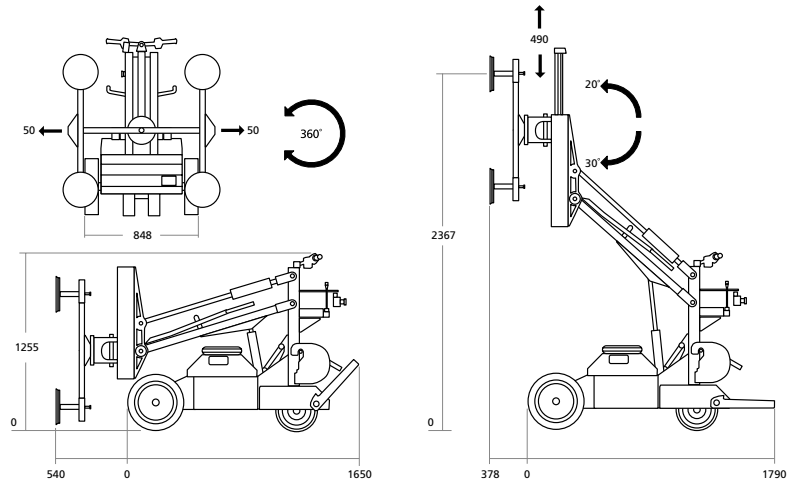
### Vertical adjustment



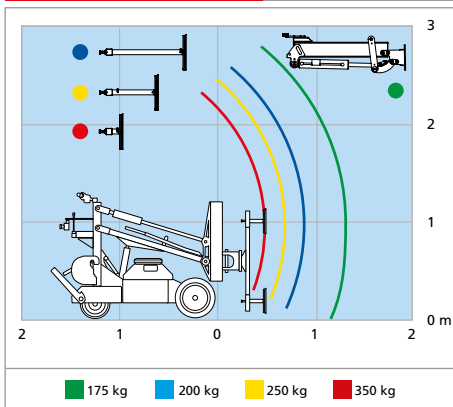
The unique head allows you to adjust loads vertically 450 mm's regardless of the angle of the lifting arm, thanks to the built-in hydraulic feature.

## Technical data

Description	Value
Loading capacity	350 kg
Own weight	595 kg
Counter weights	8 x 25 kg mm
Machine min. width	848 mm
Machine min. length	2170 mm
Machine min. height	1255 mm
Autonomy	4 hours
Front wheels	Puncture proof
Rear wheels	Puncture proof
Charging current	220 or 110 V
Battery specs.	152 Ah (12 v)
Charging time	10-100% 6 hours
Charging time	25-70% 1 hour



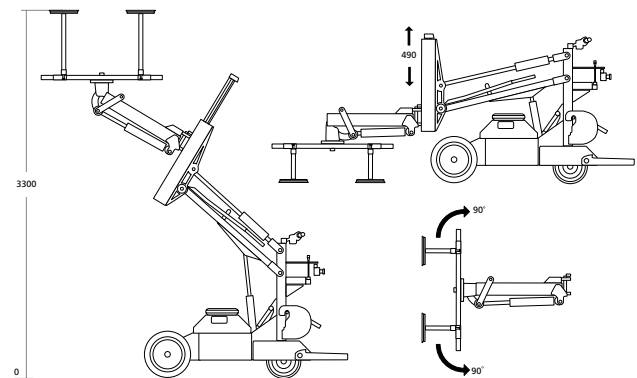
## Great capacity



In this diagram you are presented with the lifting data of the machine with the different extension arms and with the horizontal lifting arm.

With the horizontal lifting arm as an optional extra you are able to pick up loads from ground level and mount it up to 3,2 meters.

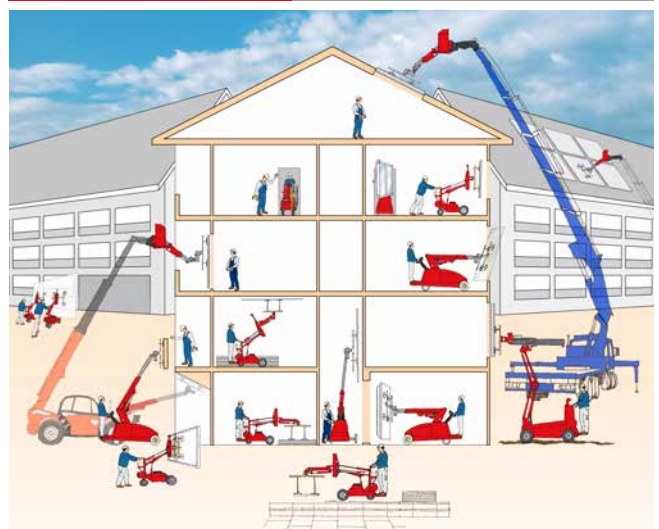
## Add the horizontal lifting arm



## Materials



## We sell solutions - contact us for free consultancy!



**GlasLift<sup>®</sup> 351 complies with the requirements of Machinery Directive 2006/42/EC.**

Please contact HH-Intellitech to book a demonstration.

Visit [www.hh-intellitech.dk](http://www.hh-intellitech.dk) and see all our solutions

Production and sales:

**HH-Intellitech ApS**

Nykoebing Landevej 21  
4200 Slagelse  
Denmark

Phone +45 58 26 70 17  
E-mail: [info@hh-intellitech.dk](mailto:info@hh-intellitech.dk)  
[www.hh-intellitech.dk](http://www.hh-intellitech.dk)