


GLASLIFT[®] 550 Terrain

Multilifter

 Made in Denmark
Pat. pend.



**Extreme
terrain ability**



**The fastest
and most flexible
outdoor multi lifter**

The most cost-effective second generation Multilifter.

- 100% parallelity in lifting and in the top boom
- Extremely long autonomy of up to 16 hours
- Extra surveillance of horisontal and lateral movements. (Extra security)
- Very powerful hydrostatic drive

Wireless remote control as an option.



Other unique features

Strongest power pack



The GlasLift[®] 550 comes with a powerful 490Ah battery as a standard. A premium lithium battery is an option that gives you even more capacity, this gives you the ability to charge 100% in only 4-5 hours.

Extreme terrain ability



With the front twin-wheels and the powerful hydraulic drive, the GlasLift[®] 550 can operate in all kinds of terrains.

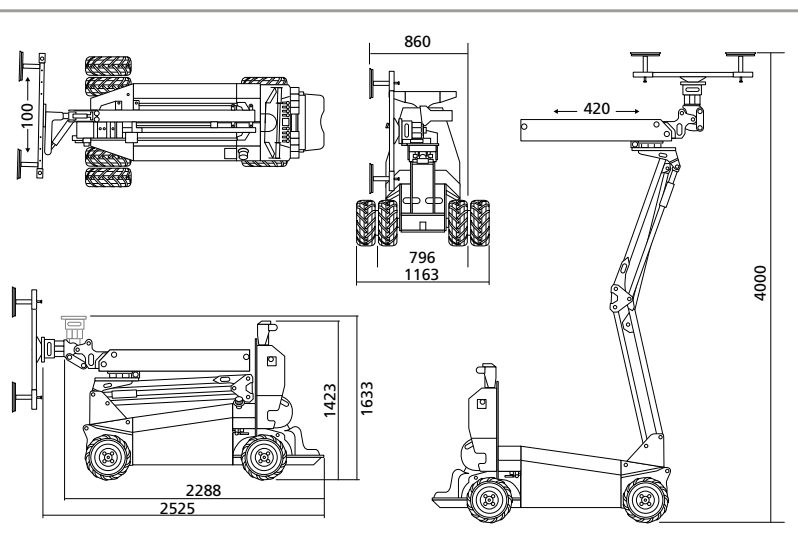
Narrow passages



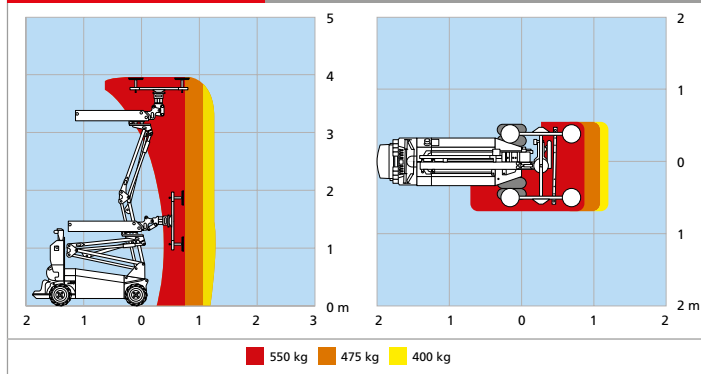
The GlasLift[®] 550 can easily pass through door holes and hallways as narrow as 800 mm and 1425 mm in height with the full load on the side.

Technical data

Description	Value
Loading capacity	550 kg
Own weight	1450 kg
Counter Weights	8x25 kg
Machine min. width	796 mm
Machine min. length	2288 mm
Machine min. height	1423 mm
Autonomy	Up to 16 hours
Front wheels	Filled rubber foam
Rear wheels	Filled rubber foam
Charging current	220 or 110 V
Battery specs.	490Ah (2 x 12V)
Charging std. battery	10% - 100% 5 hours
Charging std. battery	25% - 70% 2 hours



Great capacity

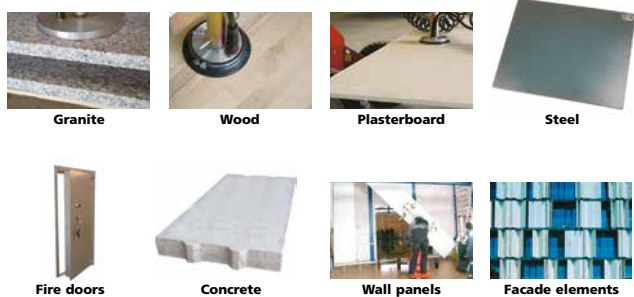


Unique pick-up functionality

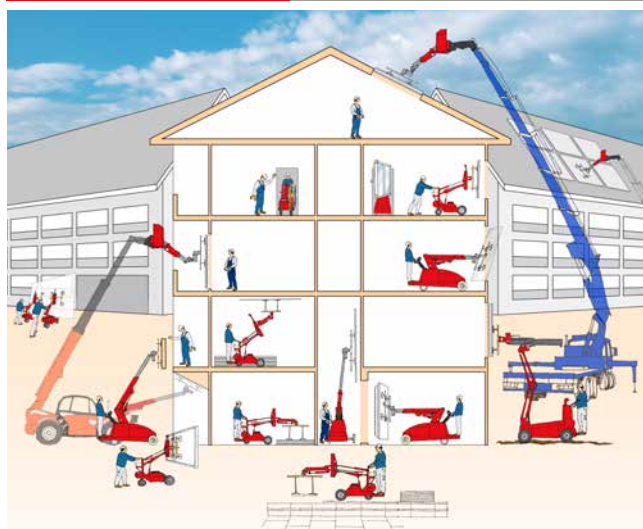


The GlasLift[®] 550 multilifter has the unique functionality of picking up elements from floor level, just like that.

Materials



We sell solutions - contact us for free consultancy!



GlasLift[®] 550 Terrain complies with the requirements of Machinery Directive 2006/42/EC.

Please contact HH-Intellitech to book a demonstration.

Visit www.hh-intellitech.dk and see all our solutions

Production and sales:

HH-Intellitech ApS

Nykoebing Landevej 21
4200 Slagelse
Denmark

Phone +45 58 26 70 17
E-mail: info@hh-intellitech.dk
www.hh-intellitech.dk