



Unique

manipulation

**Remote
controlled
precision**



**Independent
of supply from the
host machine**

Gerenuk® 500 is a hydraulic, remote-controlled multi lifter which can be adapted to all telescopic loaders, cranes and other lifting gear to lift practically every known building material.

- Gerenuk® 500 is a unit with integrated electrical and hydraulic systems and is thus independent of supply from the host machine.
- The unique head rotates and manipulates all items up to 500 kg in every direction with precision to the millimetre.
- Very high level of safety with a 2-circuit vacuum system providing 400% overcapacity.
- Telescopic arm with 1,500 mm mounting depth and 420 mm projection enables manipulation and mounting over balconies or through scaffolding.

Gerenuk® 500 Complies with EU directive 2006/42/EC.

Other unique features

Vacuum 400% overcapacity



A two-circuit vacuum system ensures that the suction discs always have 400% overcapacity. A visual - and an acoustic alarm ensure that the machine is not operated until the system has reached optimum suction power. This makes the vacuum system one of the safest systems in the world.

Remote control



The remote controls the Gerenuk up to 100 meters away. Or up! There are 6 control buttons. They are all proportional and have 5 different speeds, giving 100% optimal management of the 3D manipulation. The remote also controls the vacuum system.

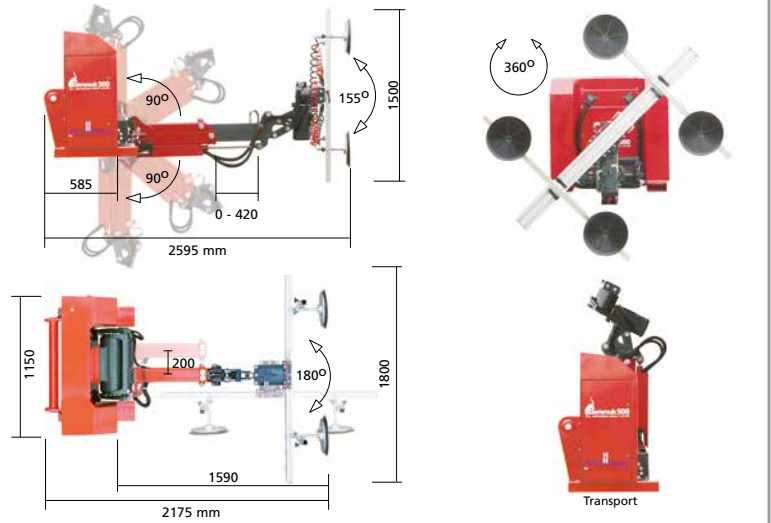
Remote service



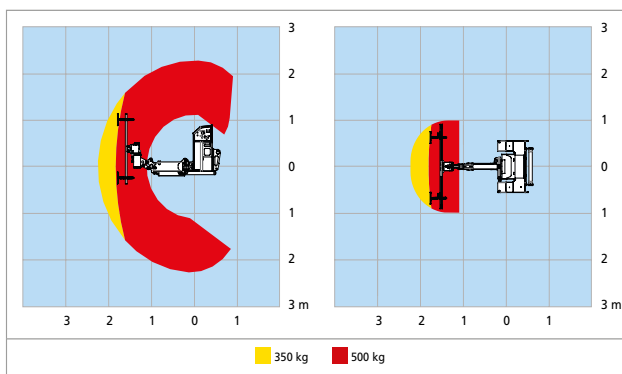
The Gerenuk® 500 can go online and be remotely serviced. This enables speedy diagnostics, remote programming and tailored repairs. The onboard computer supervises all systems and reports any damage.

Technical data

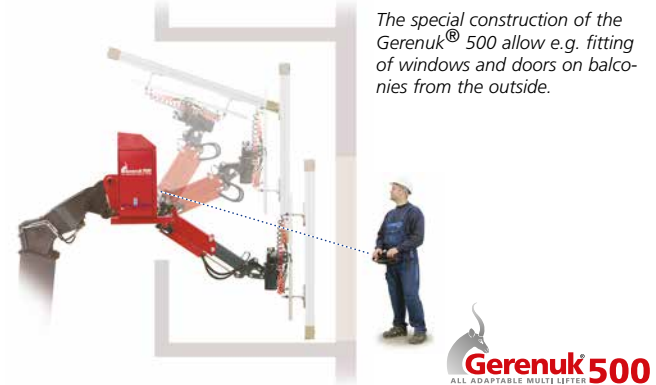
Description	Value
Loading capacity	500 kg
Own weight	720 kg
Adaptor weight	Type specific
Machine min. width	1100 mm
Machine min. depth	900 mm
Machine min. height	1750 mm
Autonomy	8 hours
Side shift	200 mm
Telescopic arm	420 mm
Charging current	220 or 110 V
Battery specs.	2 x 152 Ah / 24 V
Charging time	10-100 % - 8 hours
Charging time	25-70 % - 1 hour



Great capacity



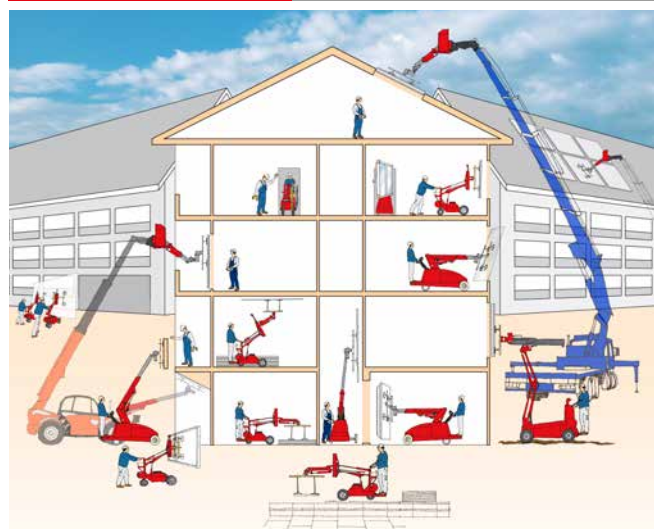
Unique fitting



Materials



We sell solutions - contact us for free consultancy!



Gerenuk[®] 500 complies with the requirements of Machinery Directive 2006/42/EC.

Please contact HH-Intellitech to book a demonstration.

Visit www.hh-intellitech.dk and see all our solutions

Production and sales:

HH-Intellitech ApS

Nykoebing Landevej 21
4200 Slagelse
Denmark

Phone +45 58 26 70 17
E-mail: info@hh-intellitech.dk
www.hh-intellitech.dk